

GRUNDFOS CMB PM1 BOOSTER

Grundfos CMB PM1 Booster is ideal for instant water heater showers while providing strong, constant water pressure around your house and garden. The CMB PM1 Booster is a compact, quiet yet powerful multi-stage pump with built-in pressure control and maintenance free design.



Product
certified
by SIRIM



Quiet
operation



2 years
warranty



Dry
running
protection



Quality
assurance



Longer
life span



Space-
saving



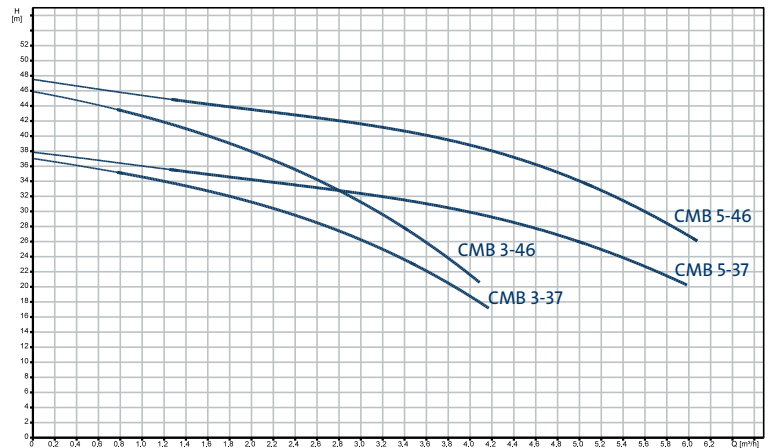
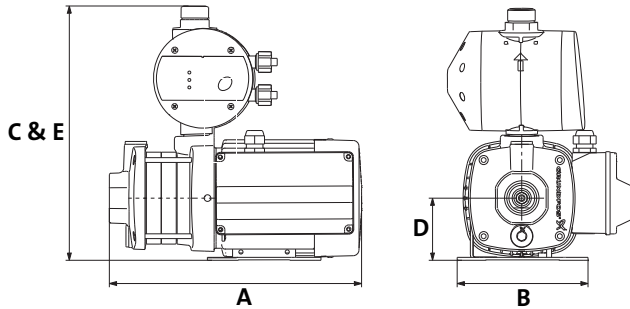
Easy
installation

TECHNICAL & PERFORMANCE DATA



PHYSICAL ATTRIBUTES

PERFORMANCE CURVE



Model	Motor Power P2 (kW)	Connections		Dimensions (mm)					Weight (kg)
		Inlet	Outlet	A (l)	B (w)	C (h)	D (inlet)	E (outlet)	
CMB 3-37 PM1	0.50	1" Female	1" Male	324	158	315	75	315	14
CMB 3-46 PM1	0.50	1" Female	1" Male	342	158	315	75	315	14
CMB 5-37 PM1	0.67	1 1/4" Female	1" Male	364	158	315	75	315	15
CMB 5-46 PM1	0.90	1 1/4" Female	1" Male	382	158	315	75	315	15

OPERATING CONDITIONS

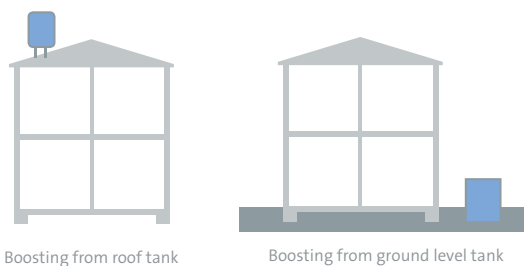
TECHNICAL DATA

Ambient Temperature	0°C to +55°C
Liquid Temperature	0°C to +60°C
System Pressure	Max. 10 bar

Power Supply Voltage	220-240 Volt, 50 Hz
Power Supply Cable	2 m with plug
Enclosure Class	Undercover installation recommended (IP55)
Approvals and Markings	Listed & Registered in SPAN SIRIM Certified

POSITIVE INLET PRESSURE (WATER ABOVE PUMP LEVEL)

SELECTION GUIDE - MAKE THE RIGHT CHOICE



CMB PM1 MODELS	Solar/Electric Storage Water Heater		Instant Electric Hot Water Heater
	Normal Shower	Rain Shower	
CMB 3-37 PM1	1-3 Bathrooms	1 Bathroom	1-3 Bathrooms
CMB 3-46 PM1	1-3 Bathrooms	1-2 Bathrooms	1-3 Bathrooms
CMB 5-37 PM1	4-5 Bathrooms	3-4 Bathrooms	4-5 Bathrooms
CMB 5-46 PM1	6 Bathrooms	5 Bathrooms	6 Bathrooms

GPM_CM PM1_0421