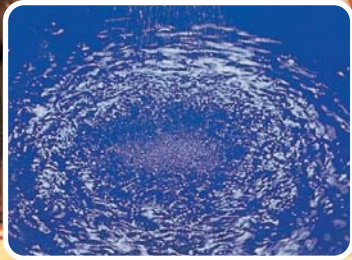
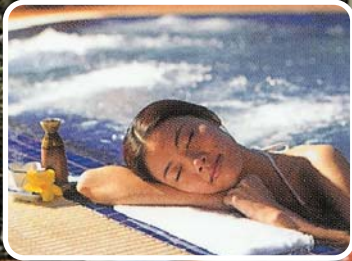


Wave

Spa And Swimming Pool Pumps



BE > THINK > INNOVATE >

GRUNDFOS 

SB Series Swimming Pool Pump

Wave SB Series Centrifugal Pump is engineered to deliver optimum performance to both high and medium head installations in large-sized swimming pool and commercial spas. This high flow pump is designed to exceed customers' requirements.

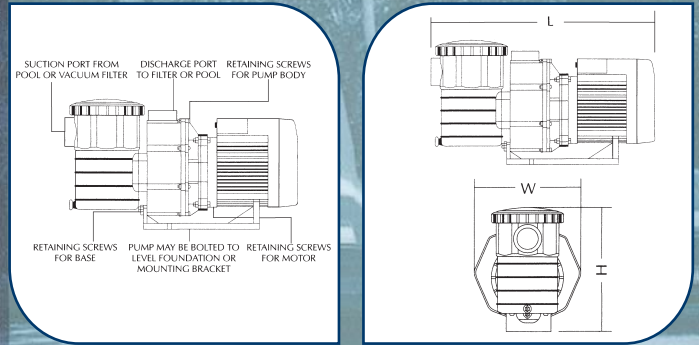


Features

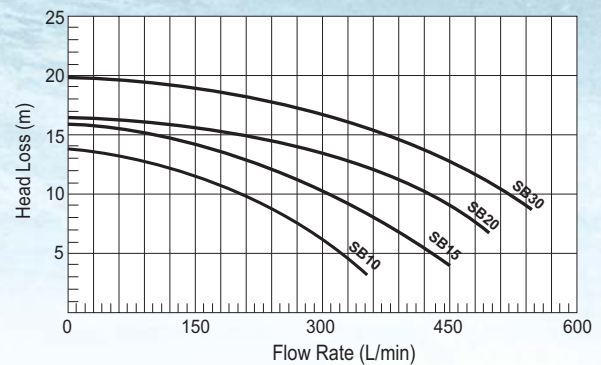
- Corrosion protected shell to prevent water from directly contacting with motor.
- Easy to assemble pump basket.
- Pump basket size allows twice as much normal dirt load before cleaning.
- High performance to ensure maximum turnover rate of water.
- Improved suction characteristic to ensure maximum efficiency from automatic sweeper.
- Lid designed to eliminate suction leaks and to allow positive checking of lid seal under load.
- IP55 waterproof standard
- CE Europe standard
- Designed for easy maintenance and repairs.
- Overload protector
- 1 year warranty

Technical Characteristics

Model No.	Output Power (kw)	Port Size	Length (mm)	Width (mm)	Height (mm)	Weight (kg)	Motor Voltage (v)	3 Phase (v)
SB10	0.75	2"/ 50mm	600	280	350	16	1x 220v 50Hz	380~415
SB15	1.10	2"/ 50mm	600	280	350	17	1x 220v 50Hz	380~415
SB20	1.50	2"/ 50mm	610	280	350	23	1x 220v 50Hz	380~415
SB30	2.20	2"/ 50mm	610	280	350	24	1x 220v 50Hz	380~415



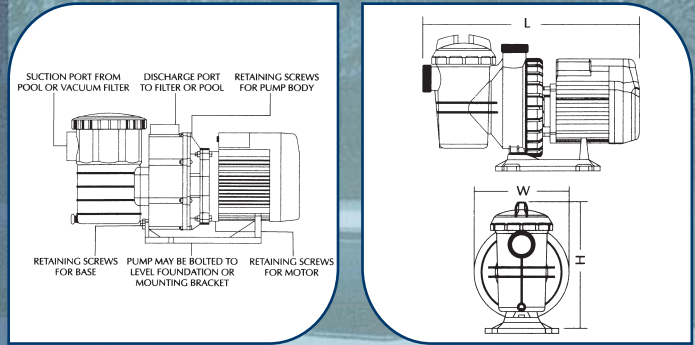
SB Performance Curve



Wave

SC Series Swimming Pool Pump

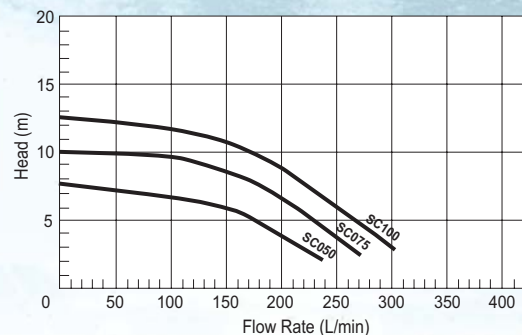
All components of Wave SC Series Pool Pumps are designed for maximum performance and economy in a pool filtration system. SC Pumps are easy to install and maintain. The pumps deliver a dependable medium head performance and are extremely quiet in operation.



Features

- Corrosion protected shell to prevent water from directly contacting with the motor.
- Extremely quiet operation.
- Low energy consumption.
- Easy assembling of pump basket.
- Designed for easy maintenance and repair.
- Low cost of spare parts.

SC Performance Curve



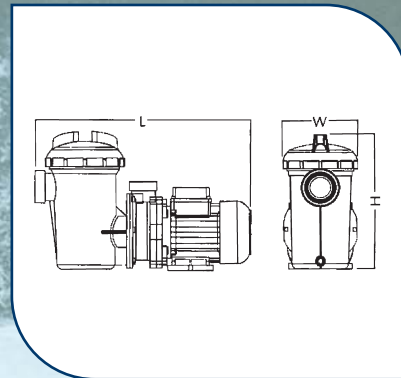
Technical Characteristics

Model No.	Output Power (kw)	Port Size	Length (mm)	Width (mm)	Height (mm)	Weight (kg)	Motor Voltage (v)	3 Phase (v)
SC050	0.37	1½"/40mm	533	240	335	10.4	1x 220V 50Hz	380~415
SC075	0.56	1½"/40mm	533	240	335	12.1	1x 220V 50Hz	380~415
SC100	0.75	1½"/40mm	533	240	335	13.4	1x 220V 50Hz	380~415

SM Series Swimming Pool Pump

The Wave SM Series range of swimming pool and spa pumps are designed for most domestic pool filtration applications.

The high performance pump is manufactured from a premium grade UV stabilized reinforced thermoplastic material, which incorporates an up grade corrosion-resistant aluminum motor housing for quieter operation.



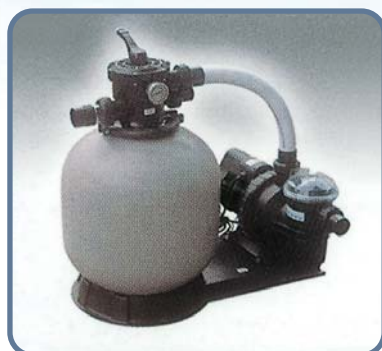
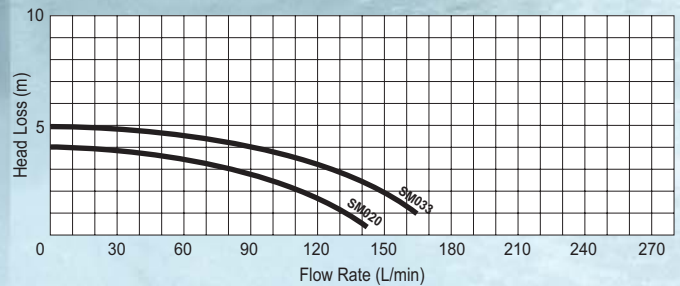
Features

- High set off ground insulated motor cradle for water and corrosion protection.
- Rapid self priming capability with patented internal heat sink ensures maximum cooling of the seal, extends shaft and seal life.
- IP55 Weatherproof standard.
- One-year tank warranty.
- CE Europe standard.

Technical Characteristics

Model No.	Output Power (kW)	Length (mm)	Width (mm)	Height (mm)	Weight (kg)	Port Size	Voltage (v)	3 Phase (v)
SM020	0.15	430	155	278	6.20	1 1/2" / 40mm	1 x 220v 50 Hz	380~415
SM033	0.25	430	155	278	6.20	1 1/2" / 40mm	1 x 220v 50 Hz	380~415

SM Performance Curve



SC Pump & Filter Package

The WAVE swimming pool series also come with a pump and filter package. The SC pump & V series filter are coupled together for maximum performance and economy.

Technical Characteristics

Model No.	Sand (kg)	Filter Area (m ²)	Design Flow (lpm)	8 Hour Circulation (m ³)
V400	30	0.13	105	50
V450	40	0.16	133	64
V500	85	0.22	192	92
V650	155	0.30	270	129