

GRUNDFOS Stainless Steel Wastewater Pumps For Transfer Of Effluent And Domestic Sewage

Pumped liquids

- › Grey wastewater
- › Wastewater with many fibres
- › Water containing sludge
- › Screened sewage containing suspended solids
- › Domestic sewage

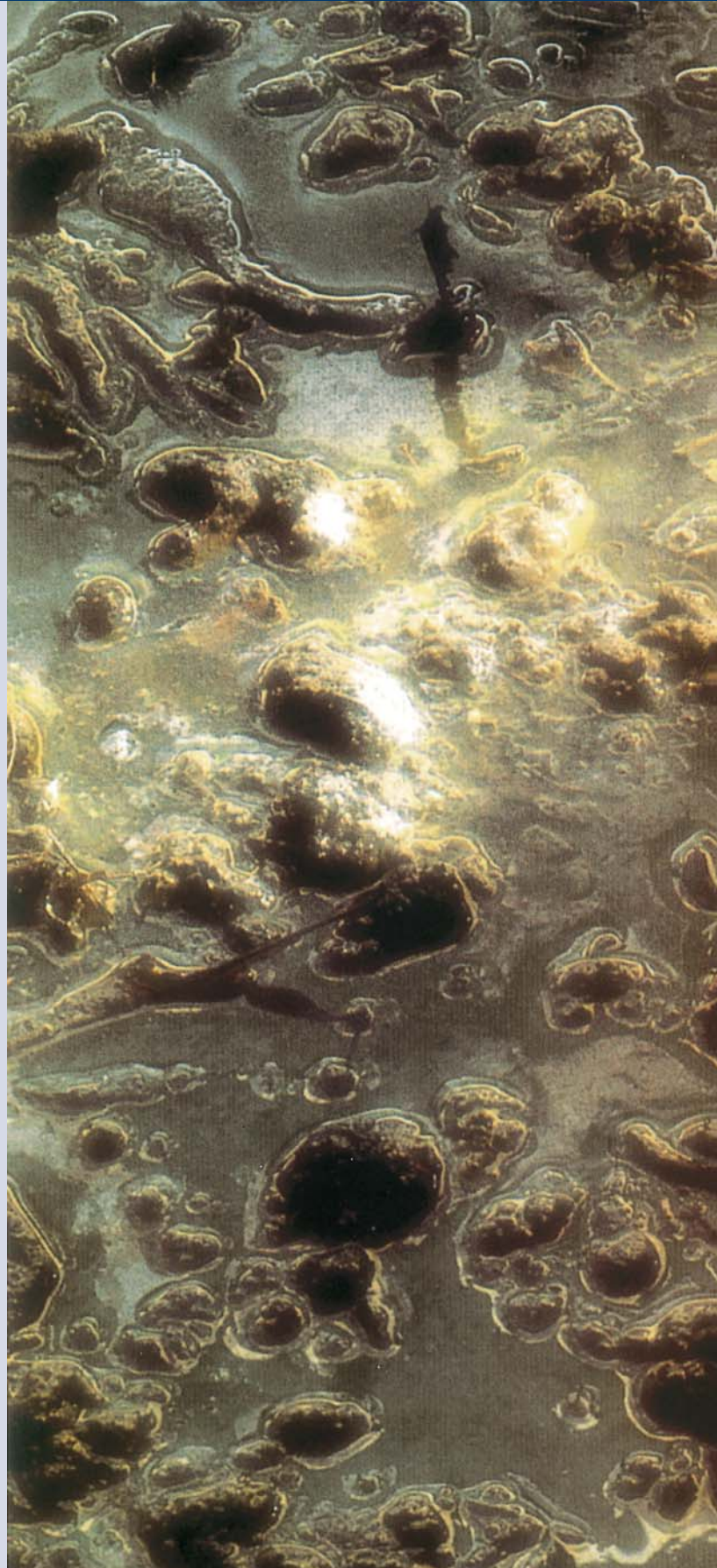
Applications

The AP35B pumps with 35 mm free passage are the right choice for:

- › ground water lowering in drainage pits
- › pumping from surface water pits with inflow from roofs, gutters, shafts, tunnels, etc.
- › emptying of tanks, pools, ponds and vessels
- › pumping of wastewater without discharge from water closets.

The AP50B pumps with 50 mm free passage are the preferred pumps for:

- › pumping sewage from residential buildings
- › pumping of fibre-containing wastewater from laundries and industries.

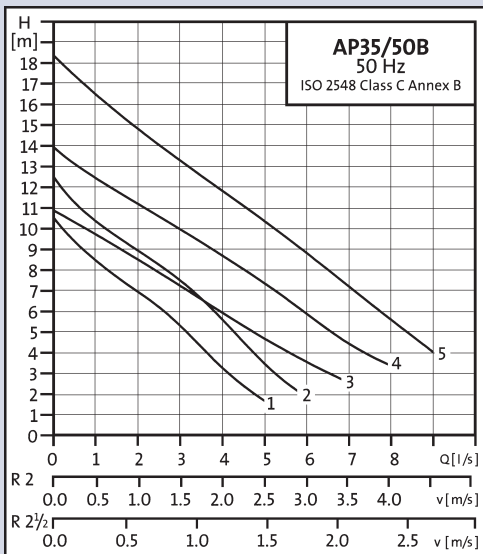




Key Features

- Stainless steel pumps (AISI 304).
- Removable ring stand (polycarbonate).
- Easy handling. Dismantling and re-assembly of motor and pump housing by means of clamps.
- Double shaft seal system with intermediate oil chamber.
- Suitable for installation on auto-coupling system as well as for free-standing installation.
- Automatic / manual operation.
- Built-in capacitor (1-phase version).
- Built-in overheating protection (1-phase version).
- Vortex impeller (AISI 304).
- Continuous operation with fully submerged motor.
- Light weight.
- Handle for portable use.

Performance range



Product range

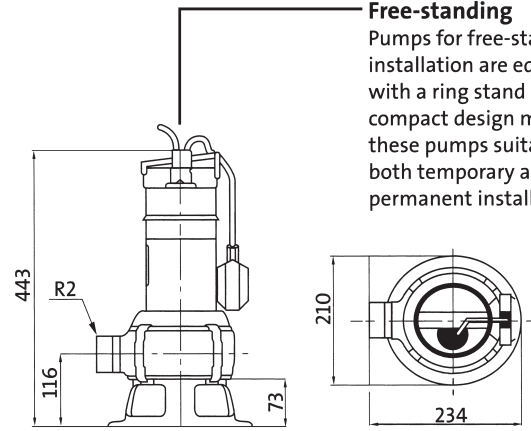
Pumps with 1-phase motor have incorporated thermal overload protection and require no additional motor protection. Single-phase pumps are available with integrated float switch for automatic start and stop of the pump. Pumps with 3-phase motor must be connected to an external motor starter.

Curve	Pump type	Motor	P1 kW	P2 kW	Max solid size	Discharge	Max liq. temp. (°C)	Cable length (m)	Weight (kg)	Float switch
1	AP35B.50.06	1-phase 1 x 230V	0.99	0.66	35 mm	R2	40	10/5	6.8	▲ / ■
1	AP35B.50.06	3-phase 3 x 400V	0.95	0.63	35 mm	R2	40	10/5	7.4	■
2	AP35B.50.08	1-phase 1 x 230V	1.22	0.71	35 mm	R2	40	10/5	10.1	▲ / ■
2	AP35B.50.08	3-phase 3 x 400V	1.23	0.78	35 mm	R2	40	10/5	8.4	■
3	AP50B.50.08	1-phase 1 x 230V	1.20	0.74	50 mm	R2	40	10/5	10.1	▲ / ■
3	AP50B.50.08	3-phase 3 x 400V	1.20	0.8	50 mm	R2	40	10/5	8.4	■
4	AP50B.50.11	1-phase 1 x 230V	1.75	1.21	50 mm	R2	40	10/5	10.2	▲ / ■
4	AP50B.50.11	3-phase 3 x 400V	1.75	1.31	50 mm	R2	40	10/5	9.7	■
5	AP50B.50.15	3-phase 3 x 400V	2.15	1.5	50 mm	R2	40	10/5	10.0	■

Installation

Free-standing

Pumps for free-standing installation are equipped with a ring stand and the compact design makes these pumps suitable for both temporary and permanent installation.



Auto-coupling

AP35B and AP50B pumps are designed for installation on an auto-coupling guide rail system which is available as an accessory. The auto-coupling system enables automatic connection or disconnection of the pump from outside the pit.

