

The Drainage & Dirty Water Specialist

Drainage Pump - UNILIFT AP12

The new UNILIFT AP12 pumps are lightweight and easily install with a pipe or hose connection. The pumps can transport fluids with solids up to 12mm in size.

Effluent Pump - UNILIFT AP35 & UNILIFT AP50

The new UNILIFT AP35 and UNILIFT AP50 pumps can handle solids of up to 35 and 50mm respectively. They are good choice for pumping effluent and waste water when it comes to transporting contaminated fluids that contain solids of 30 to 50mm in size.

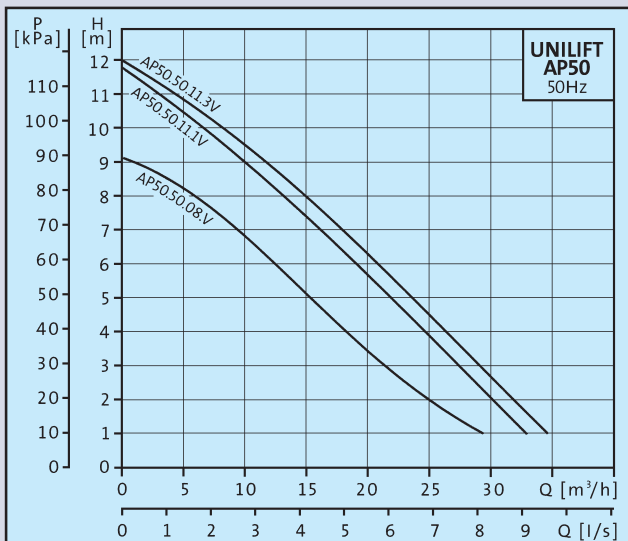
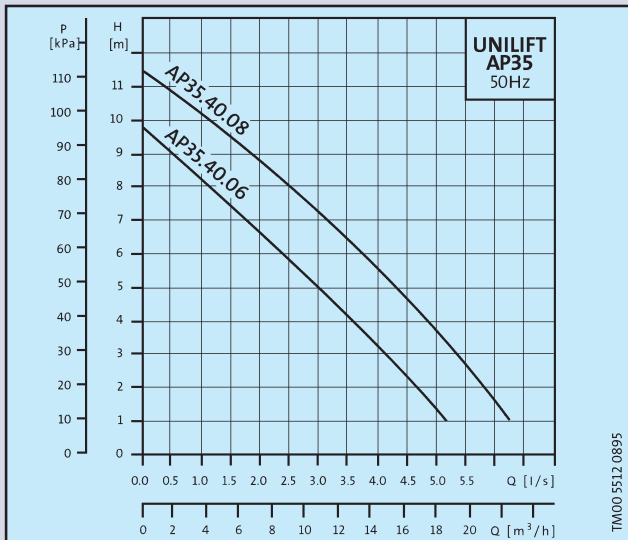
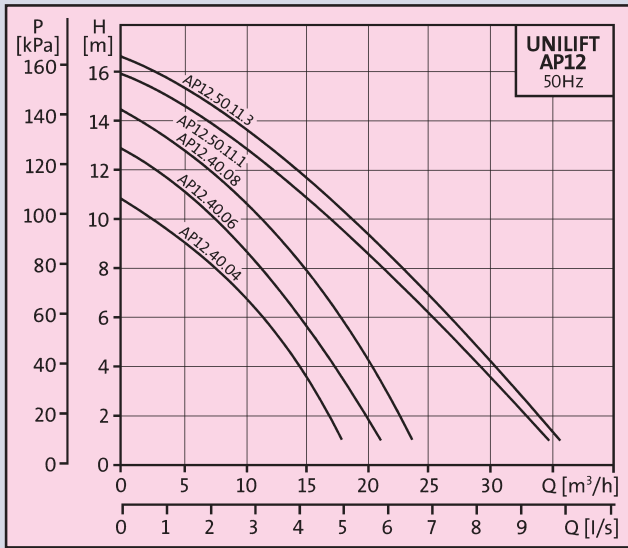
Features

- › High-quality stainless steel
- › Pre-lubricated ball bearings
- › Stainless steel rotor shaft
- › Double shaft seal system
- › Water temperature of up to 55 °C

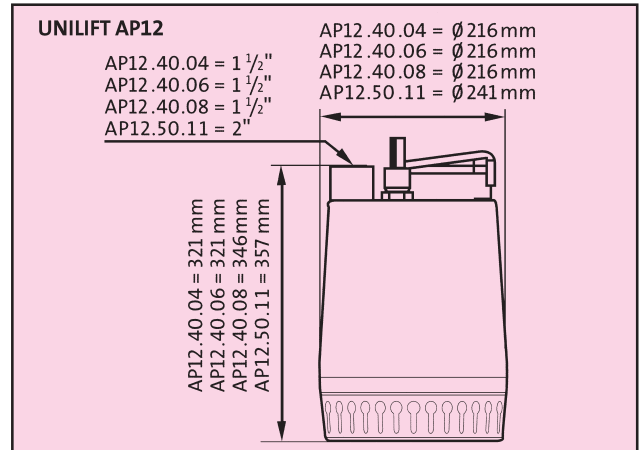


GRUNDFOS UNILIFT AP12, UNILIFT AP35, UNILIFT AP50

Technical Data



Dimensional Sketch



Electrical Data, 50Hz

Pump Type	Voltage [V]	P ₁ [kW]	I _n [A]
AP12.40.04.1	1 x 230	0.70	3.1
AP12.40.04.3	3 x 400	0.69	1.3
AP12.40.06.1	1 x 230	0.94	4.4
AP12.40.06.3	3 x 400	0.93	1.6
AP12.40.08.1	1 x 230	1.27	5.9
AP12.40.08.3	3 x 400	1.18	2.1
AP12.50.11.1	1 x 230	1.61	8.0
AP12.50.11.3	3 x 400	1.60	3.0

Electrical Data, 50Hz

Pump Type	Voltage [V]	P ₁ [kW]	I _n [A]
AP35.40.06.1	1 x 230	0.86	4.4
AP35.40.06.3	3 x 400	0.85	1.6
AP35.40.08.1	1 x 230	1.15	5.9
AP35.40.08.3	3 x 400	1.07	2.1
AP50.50.08.1	1 x 230	1.27	5.9
AP50.50.08.3	3 x 400	1.18	2.1
AP50.50.11.1	1 x 230	1.61	8.0
AP50.50.11.3	3 x 400	1.60	3.0

Dimensional Sketch

