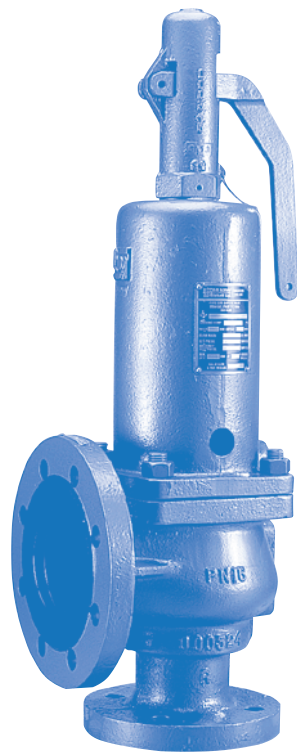


756 Safety Relief Valve



DESIGN

The 756 Safety Valve combines a top piston guided valve and an unobstructed seat bore with a full lift capability, giving maximum discharge capacity. The design incorporates an adjustable blowdown ring and meets all the requirements of BS6759 Part 1.

A freely pivoting disc and precision lapped stainless steel trim gives positive re-seating for steam duty. As standard the 756 is fitted with a test lever for inline testing. Ideally suited to applications on steam boilers and pipelines where blowdown tolerances are critical.

TECHNICAL SPECIFICATION

Approvals

BS6759 Pt 1
PED certified Category IV

Materials

Body - Carbon St. gr WCB (-29 to 300°C)
Trim - Stainless Steel

Size Range

Size	Orifice mm ²	Min (Barg) Pressure	Max (Barg) Pressure
DN25 (1")	415	0.35	24
DN32 (1¼")	660	0.35	24
DN40 (1½")	1075	0.35	24
DN50 (2")	1662	0.35	24
DN65 (2½")	2827	0.35	24
DN80 (3")	4301	0.35	24

Performance

	Kdr	Over pressure	Blow down
Steam	0.716	5%	5%*

*or 0.3 Barg min

Maximum Back Pressure

Barg	12
Constant	0%
Built-up	50%
Variable	0%

(Total % must not exceed Barg shown)

Connections

Flanged In x Flanged Out

Construction

Top Guided / Full Lift

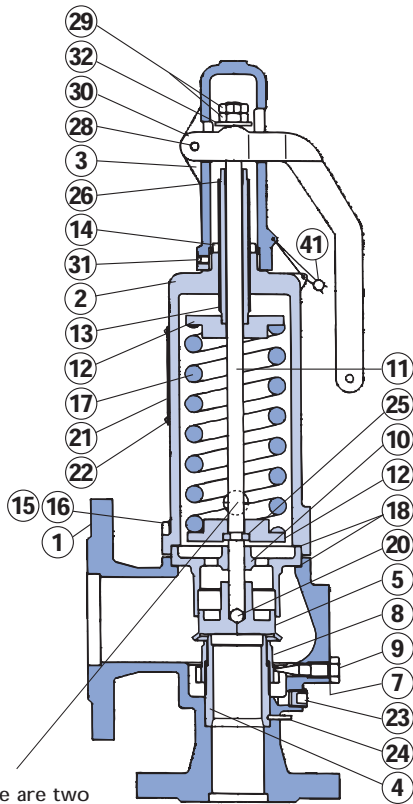
Cap Options

Open lever fitted as standard

Sizing

Refer to Capacity Charts (page 60-67)

PARTS



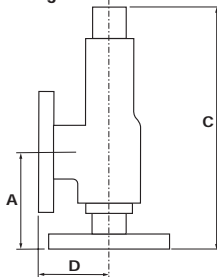
There are two vent holes to ensure spring chamber is at atmospheric pressure.

ITEM	PART	MATERIAL
		Carbon Steel
1	Body	Carbon Steel
2	Bonnet	Carbon Steel
3	Cap	Carbon Steel
4	Seat	St.St.
5*	Disc	St.St.
7*	Set Screw Gasket	NAF
8	Blowdown Ring	St.St.
9	Setting Screw	Brass
10	Guide Plate	Bronze
11	Spindle	St.St.
12	Spring Plate	Brass
13	Adjusting Screw	Brass
14	Locknut	Brass
15	Body Stud	Carbon Steel
16	Body Nut	Carbon Steel
17*	Spring	Chrome Vanadium
18*	Body/Bonnet Gasket	NAF
20*	Ball	St.St.
21	Nameplate	St.St.
22	Nameplate Pin	Steel
23	Drain Plug	Steel
24	Seat Pin	St.St.
25*	Split Collar	St.St.
26	Adjusting Screw Bush	PTFE
28	Fulcrum Pin	St.St.
29	Spindle nut	Brass
30	Easing Lever	Carbon Steel
31	Grub Screw	St.St.
32	Spindle Washer	St.St.
41	Warranty Seal	Lead

* Recommended spares; available from Safety Systems UK Ltd.
Recommended inspection every 12 months.

DIMENSIONS

Flanged x Flanged

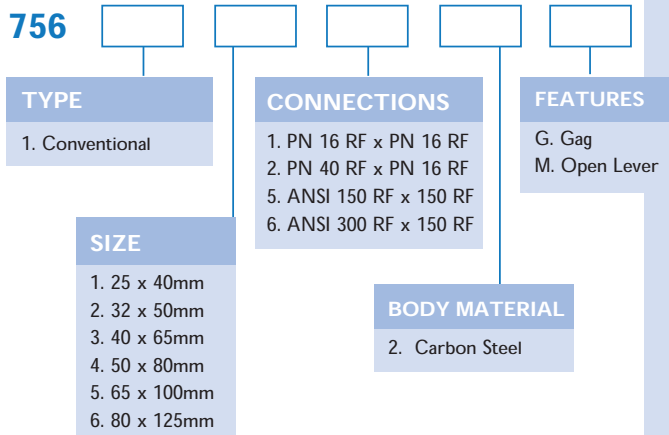


Valve Type	Valve Size	Inlet *NB	Outlet *NB	A	'C' Lever	D	Weight (kg)
Flanged	DN25	1"	1½"	105	410	100	8.5
	DN32	1¼"	2"	115	455	110	14.0
	DN40	1½"	2½"	140	570	115	20.0
	DN50	2"	3"	150	615	120	30.0
	DN65	2½"	4"	170	725	140	42.5
	DN80	3"	5"	195	825*	160	64.5

*Add 100mm to the DN80 Fig. 756 valve only for set pressures above 14 Barg. All dimensions in mm

Flange sizes listed are for:
Carbon Steel Flanges PN 40x16
Others available on request.

FIGURE NUMBERING



Notes:

A. Any special requirements will be indicated by the letter X which will be agreed with the sales office. For example, paint specification or spring material.