

GRUNDFOS SOLOLIFT+



SOLOLIFT+

ADD NEW FACILITIES
WHEREVER YOU NEED THEM

BE > THINK > INNOVATE >

GRUNDFOS® 

WHEREVER THERE'S A NEED, THERE'S A SOLOLIFT+

Introducing the new lifting stations from Grundfos

The new Grundfos Sololift+ range is specially designed to handle wastewater in private homes. It efficiently removes wastewater from bathrooms, washrooms, or kitchens. Sololift+ is to be used where the wastewater cannot be led directly to the sewer by means of natural downward slope.

Add new facilities anywhere in the home

The Sololift+ is not just an efficient piece of equipment; it also gives homeowners a whole new range of opportunities when designing their living space. The Sololift+ lifting stations make it easier than ever to add a new bathroom, kitchen, or utility room anywhere in the house – even in places you might not normally think would be suitable. And it is cost-efficient, too: the Grundfos Sololift+ eliminates the need for costly pipe work often associated with a new bathroom or other facility.

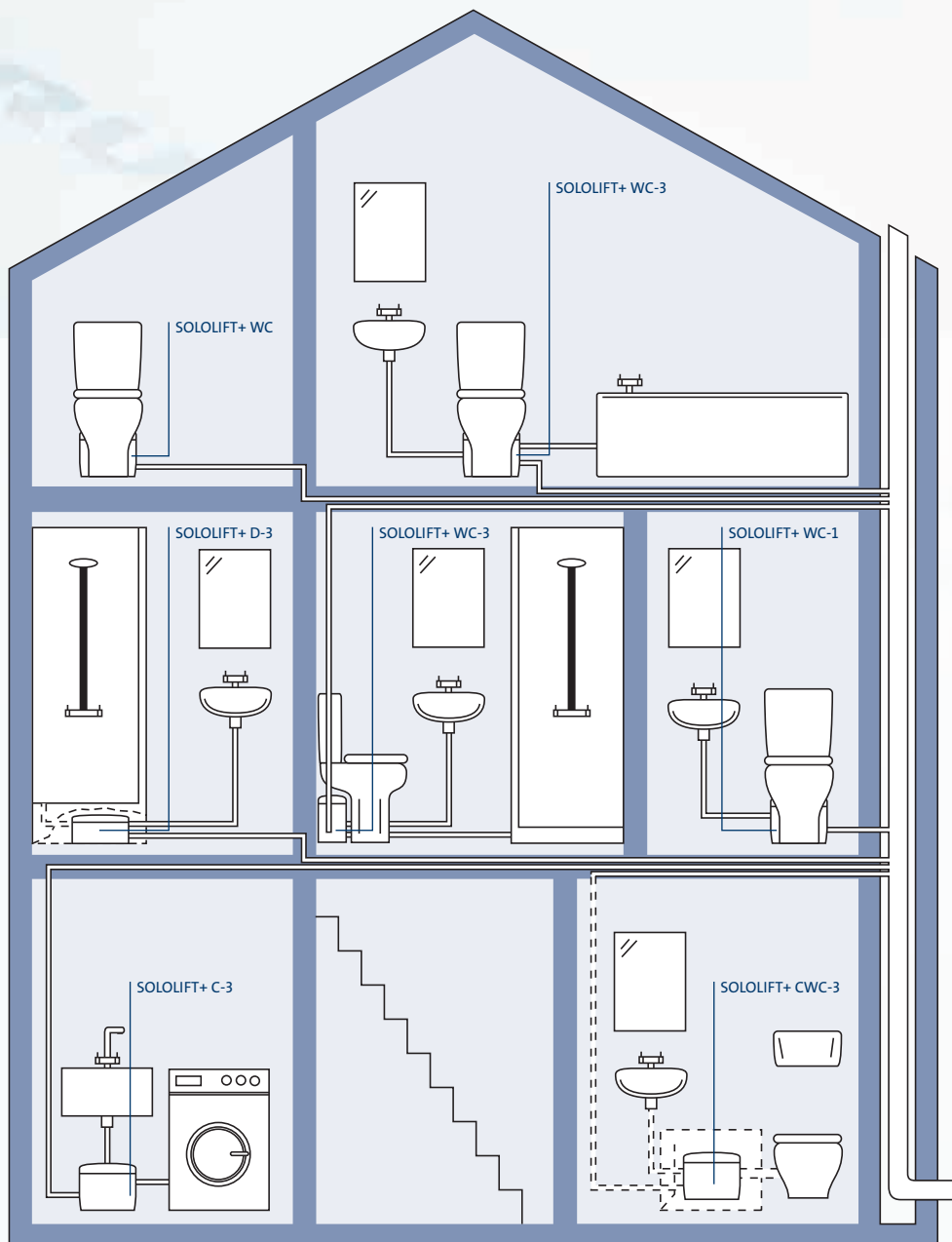
Six models in the range

The full Sololift+ range comprises 6 different models, each designed with a specific task in mind: handling toilet waste and/or one or several other sources of domestic wastewater, e.g. hand basins, bidets, baths, showers, dishwashers, washing machines, etc.

The new Sololift+ can be used for:

- Extra bathrooms
- Under-stairs cloakrooms
- Basement installations
- Low-cost bathrooms in holiday cottages
- Added facilities in hotels and guesthouses
- Bathrooms for the elderly or the disabled
- Renovations of offices and other commercial buildings

APPLICATION OVERVIEW AND RECOMMENDED SOLOLIFT+ MODEL



ELEGANT DESIGN. EASY SERVICE.

The attractive, discreet design of the new Grundfos Sololift+ lifting stations suits every sanitary application. The smooth lines and rounded edges make it easy to incorporate into both existing and new bathrooms.

The Sololift+ is extremely reliable and has a low noise level. Moreover, it is specially designed for easy service. You can access all vital parts of the pump by simply lifting the lid!

Quality in every detail

The Sololift+ is manufactured to meet the strict Grundfos quality standards. Every part of the product is thoroughly tested, ensuring reliable performance and a long lifetime.

The Sololift+ models are designed with focus on detail. For example, the models to be connected to a toilet are equipped with a highly efficient grinder system that macerates the toilet waste so that it is easily pumped away. They come complete with a powerful pump, stainless steel grinder and non-return valve. Finally, the outlet is on the side, not in the lid, thus ensuring easy maintenance.

Please see the following for technical details on each of the 6 variants.

SOLOLIFT+ WC



Suitable for single WC



Potential inlets WC (DN 100) only

Power consumption 400 W

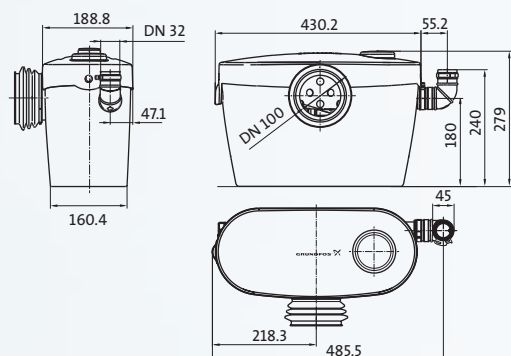
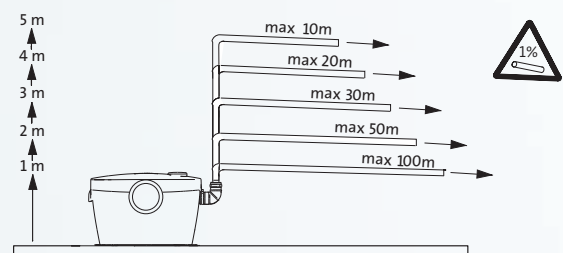
Frequency 50 Hz

Voltage 1 x 220 - 240 V

Weight 5.4 kg

Max. liquid temperatur 40°C

Vertical/horizontal performance



SOLOLIFT+ WC-1

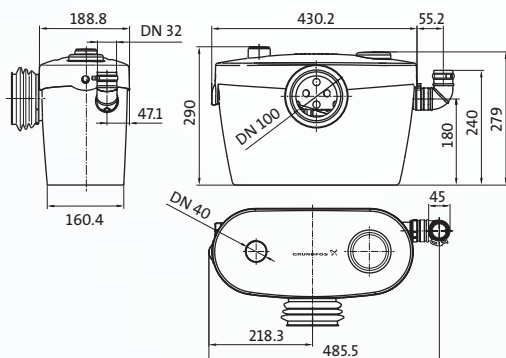
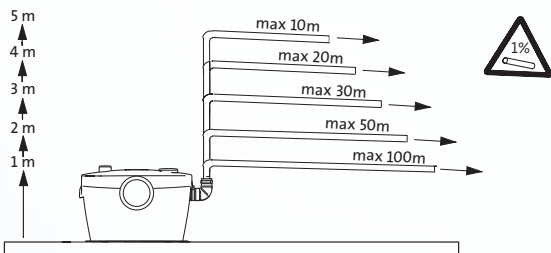


Suitable for WC and sink



Potential inlets WC (DN 100) + 1 (DN 40)
Power consumption 400 W
Frequency 50 Hz
Voltage 1 x 220 - 240 V
Weight 5.4 kg
Max. liquid temperatur 40°C

Vertical/horizontal performance



SOLOLIFT+ WC-3

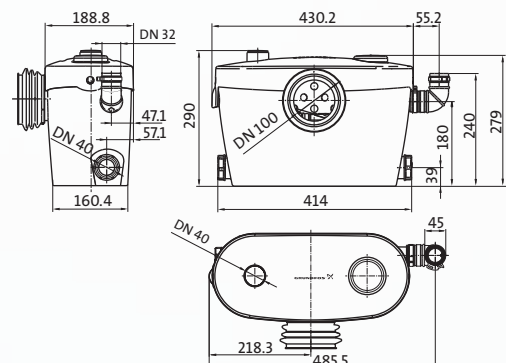
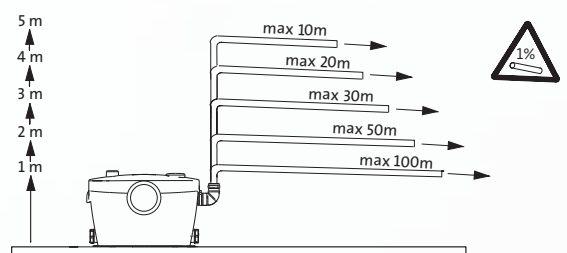


Suitable for WC, sink, shower and bidet



Potential inlets WC (DN 100) + 3 (DN 40)
Power consumption 400 W
Frequency 50 Hz
Voltage 1 x 220 - 240 V
Weight 5.5 kg
Max. liquid temperatur 40°C

Vertical/horizontal performance



COMPACT. SLIM. SUITS EVERY SPACE.

For maximum versatility, the new Sololift+ lifting stations are compact and slim, which makes them easy to install in small spaces. At Grundfos, we are also aware of the small details that make a world of difference to installers, so the Sololift+ is supplied with all the fittings required for installation.

The Sololift+ is available in several sizes and with a number of additional inlets to suit your requirements. This flexibility ensures that wherever you want to add new facilities, you can find a Sololift+ to match your need.

SOLOLIFT+ CWC-3



Suitable for wall hung toilet, sink and shower



Potential inlets WC (DN 100) + 3 (DN 40)

Power consumption 350 W

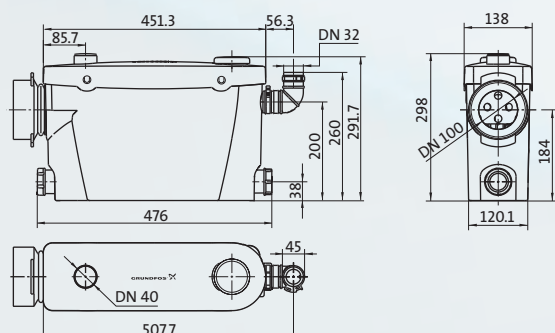
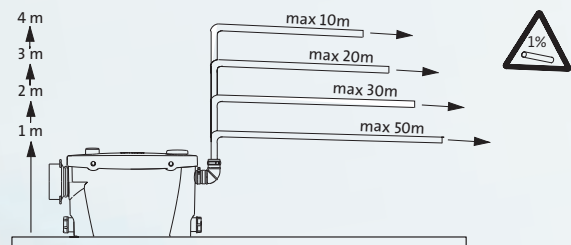
Frequency 50 Hz

Voltage 1 x 220 - 240 V

Weight 4.9 kg

Max. liquid temperatur 40°C

Vertical/horizontal performance



SOLOLIFT+ C-3

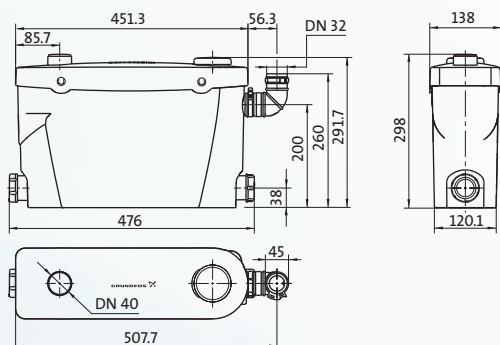
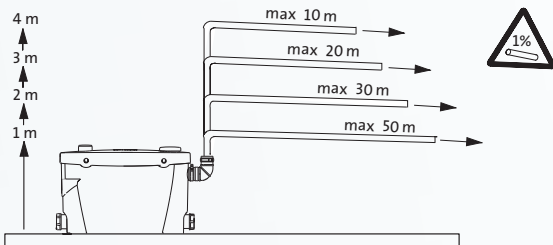


Suitable for washing machine and sink



Potential inlets 3 (DN 40)
Power consumption 300 W
Frequency 50 Hz
Voltage 1 x 220 - 240 V
Weight 4.7 kg
Max. liquid temperatur 70°C

Vertical/horizontal performance



SOLOLIFT+ D-3

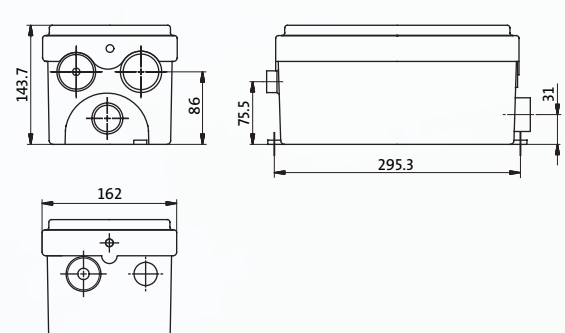
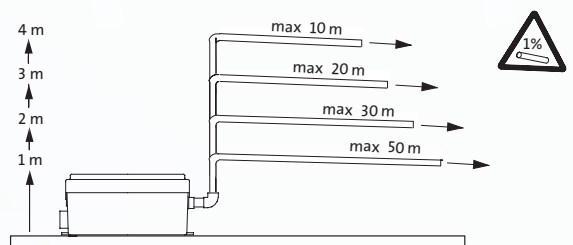


Suitable for shower and sink



Potential inlets 3 (DN 40)
Power consumption 270 W
Frequency 50 Hz
Voltage 1 x 220 - 240 V
Weight 3.5 kg
Max. liquid temperatur 40°C

Vertical/horizontal performance



The SOLOLIFT+ is part of the innovative Grundfos product family

Grundfos has been developing pumps for domestic use for more than 40 years. Throughout our long history our focus has always been firmly on the customer, enabling us to provide flexible and innovative solutions for heating, water supply and wastewater applications.

This dedication to the customer makes us the ideal pump partner for all installers; our long-lasting pumps can be relied upon to provide all-round optimal performance. The SOLOLIFT+ is no exception: this compact piece of equipment makes it easier than ever to add new facilities in any house.

Contact your local Grundfos dealer for information on our extensive product range – or visit us at www.grundfos.com